



**NEW**  
**Dualflow Plus**

**Introducing our NEW**  
**Dualflow<sup>®</sup> Plus**  
**Eco High-Speed Hand Dryers**

**M14A and M14ACS**

December 1, 2013  
MEDICLINICS EXPORT DEPARTMENT  
[export@mediclinics.com](mailto:export@mediclinics.com)

  
**mediclinics**



M14A

DUALFLOW PLUS  
WHITE

## Dualflow® Plus M14A and M14ACS

REPLACING

Dualflow® Plus M12A and M12ACS



M14ACS

DUALFLOW PLUS  
SATIN

SEE ALL THE EXCITING DETAILS  
ON THE FOLLOWING PAGES

THE NEW M14A/ACS KEEP ALL THE GOOD  
LOOKS AND PERFORMANCES OF M12A/ACS  
**BUT HAVE EXCITING NEW FEATURES**

  
mediclinics

# Improvements in Dualflow<sup>®</sup> Plus

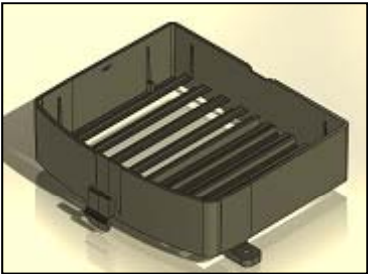


## 1. HEPA filter

The new Dualflow Plus M14 hand dryers come with a HEPA filter.

A **H13 HEPA filter** that eliminates over 99% of airborne allergens by filtering the air through a packet of 3 filters, capturing at least 99.95% of particles 0.3 microns in size – about 300 times smaller than the diameter of a human hair.

- ✓ New HEPA filter (High Efficiency Particulate Air Filters) is **H13** according to EN1822:2009.
- ✓ Humidity resistance 100%
- ✓ New filter support compatible with both filters, current one and new HEPA H13.
- ✓ Modified filter support fixation.



New filter support



# Improvements in Dualflow® Plus

## 2. New water tank can be removed

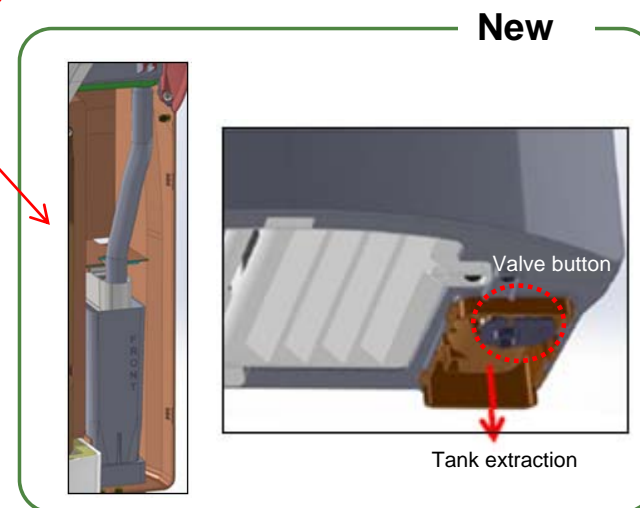
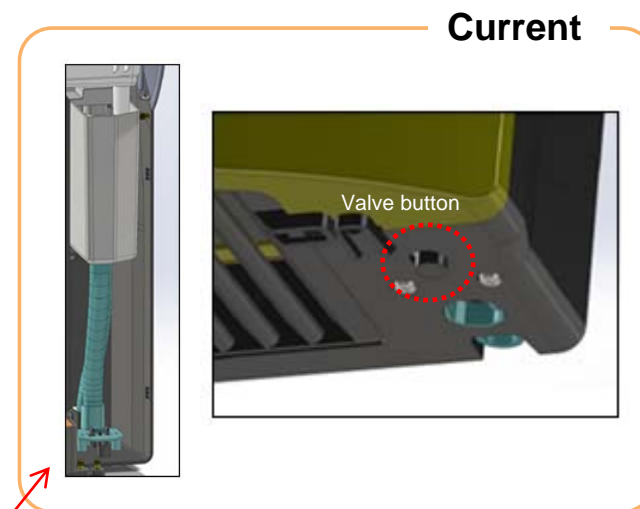
New design of water tank and canalization makes it easily removable for cleaning or emptying away from the dryer.

Just like the old tank however, the new tank can also be emptied through the valve at the bottom, just by pushing a button, without needing to remove it.

- ✓ Possibility to remove the tank for emptying or cleaning. It simply clicks in and out.
- ✓ Possibility to empty the tank just by pushing a button without needing to take the tank out of the dryer.
- ✓ Tank capacity 480ml
- ✓ Improved newly designed water valve.
- ✓ Tank material includes antimicrobial additive Biocote®
- ✓ New water tank and its components are not interchangeable with old water tank.



Position of water tank



# Improvements in Dualflow® Plus

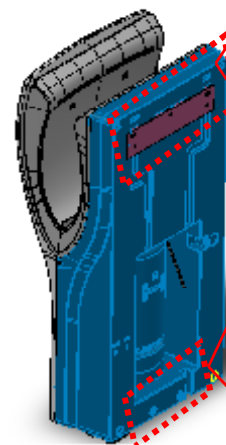


## 3. Stronger fixation to the wall

The renewed base fixes the dryer stronger to the wall for improved resistance to vandalism.

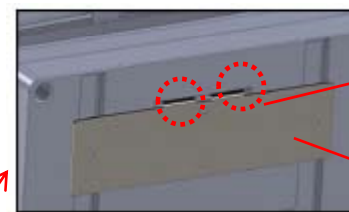
- 1. Top side:** The base now attaches to the metal bracket with 4 instead of 2 points of suspension and the metal bracket itself is fixed to the wall now with 3 instead of 2 screws.
- 2. Bottom side:** at the bottom side the base fixes to the wall now with 2 instead of 1 screw. And the bottom area has been reinforced for additional strength.

- ✓ New base design fixes the unit in 6 points to the wall (4 on the top and 2 on the bottom)
- ✓ New steel support with 3 screws fixed to the wall and with 4 “flaps” fixing the base. (*compatible with old Dualflow Plus design*)
- ✓ Added a second fixation hole to the wall in the bottom area of the base and reinforced both with ribs.



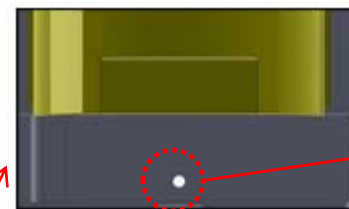
Base fixation points

### Current



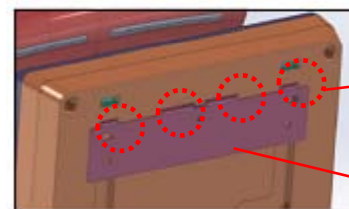
Two points of suspension to the support

Steel support fixed to the wall by 2 screws



One point of fixation from the bottom side of the base to the wall

### New



Four points of suspension to support

Steel support fixed to the wall by 3 screws



Two reinforced points of fixation from the bottom side of the base to the wall



# Improvements in Dualflow<sup>®</sup> Plus

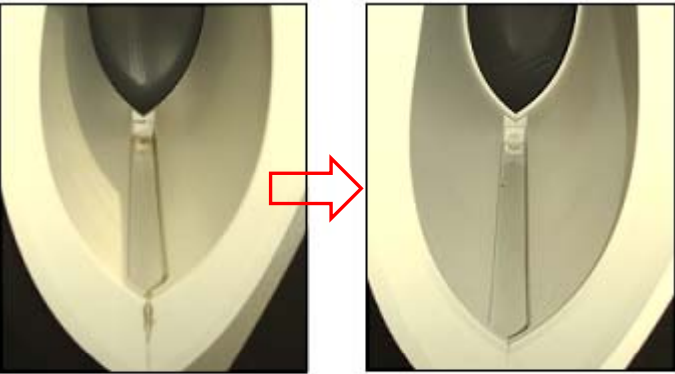


## 4. Ergonomic Drying Chamber redesign

The drying chamber has been redesigned in two major aspects:

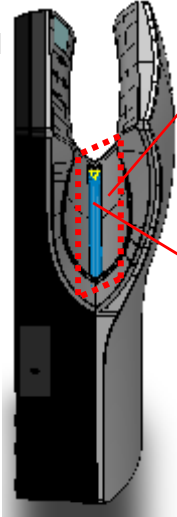
- 1. **Most visible:** new design includes discrete and ergonomic side flaps to optimize the airflow within the drying area. The water being smoothly guided into the water channel at the bottom of the chamber.
- 2. **Not less important:** all corners of the water channel now have a wider radius to facilitate easier cleaning.

- ✓ Water forced into the water tank
- ✓ Less and easier cleaning

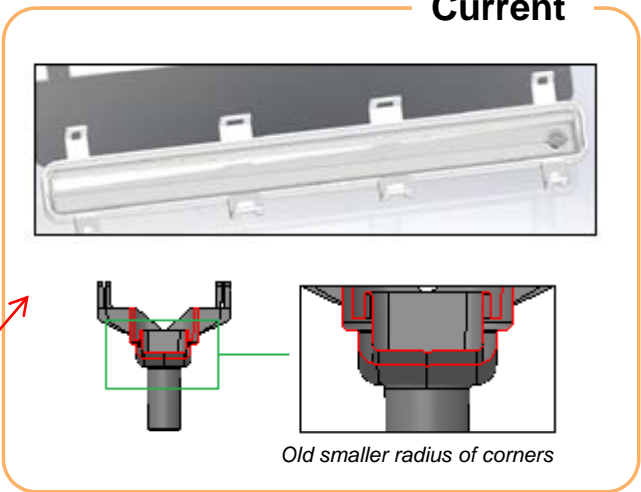


Current design

New design

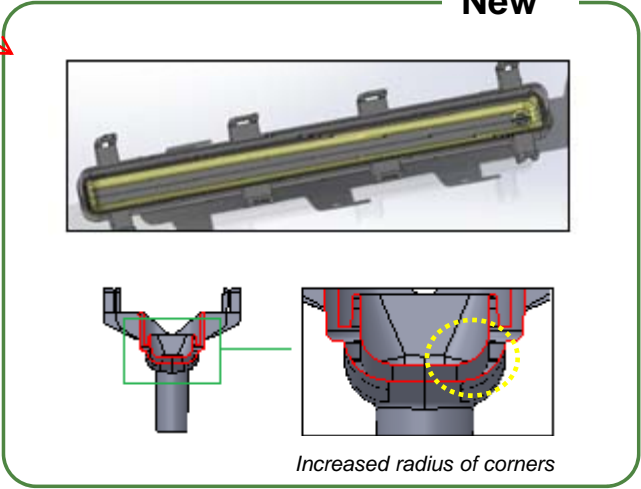


Position of water channel



Current

Old smaller radius of corners



New

Increased radius of corners

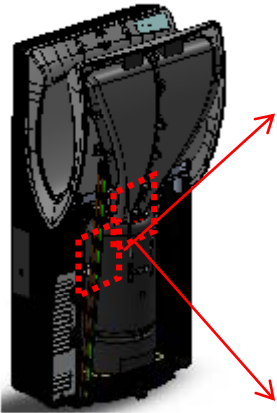
# Improvements in Dualflow<sup>®</sup> Plus



## 5. New internal sealing components

In Dualflow Plus M14 internal sealing has been improved by introducing two new elastomeric components to avoid possible air leaks in the unions due to the high air pressure produced by the motor. At the same time, motor chamber isolation is now better than in previous design, adjusting the union between cables and air conduit components to the motor cover.

- ✓ Better motor chamber isolation
- ✓ Better adjustment of union components (cables and air conduit parts)



Position of new sealing components



Motor cover sealing



motor cables sealing

### Current



Current foam sealing components

### New



New elastomeric sealing components